

ISOTHERMAL

# BINS



**RIVAL**

+ t u b o s +

## PRODUCT

Our new and innovative products are called **ISOTHERMAL BINS** which are the solutions for the aquaculture and fishing industry because they have a high quality.

Every industry looks for procedures to improve productivity, efficiency and cost reduction. Our isothermal bins are used for the transfer of fish and shrimp, providing a constant temperature for longer time while in use.

## BENEFITS

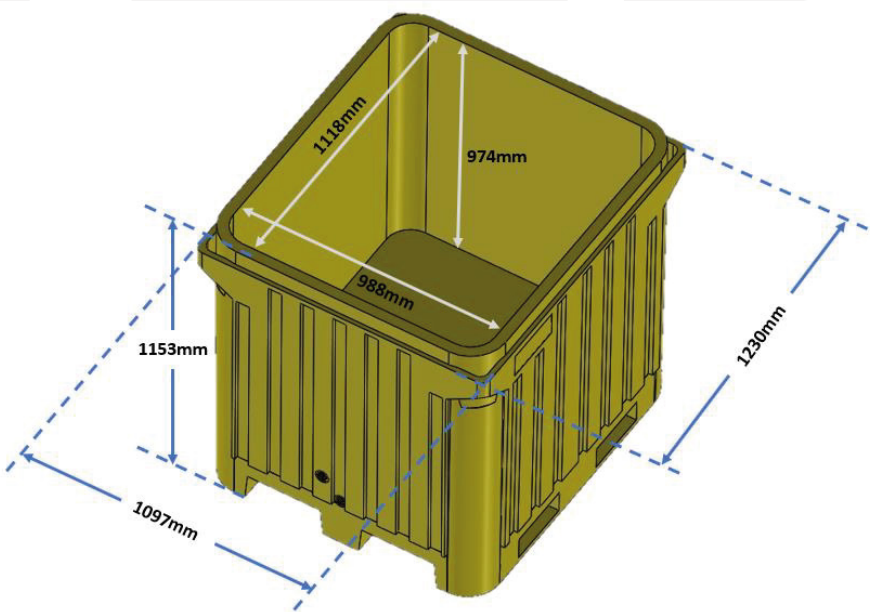
- **Prevents** the dehydration of the product, achieving a sale per kilo at its full weight.
- **Reduce** transportation costs, therefore it will not require units with thermo-insulated or refrigeration equipment.
- **Guarantees** a good quality of the product in long transfers, maintaining the refrigeration.
- **Forklifts** can be used, as well as manual loaders, because both have two ways of entry.

## CHARACTERISTICS / FEATURES

- Made of polyethylene having a food certification
- Double wall with polyurethane foam on base and cover
- Capacity of 1000 liters with a measurement scale inside
- Handles in 4 corners
- Stockable
- Recommended maximum staking of 2800 liters which means 4 units
- Drain system
- Bins can be customized

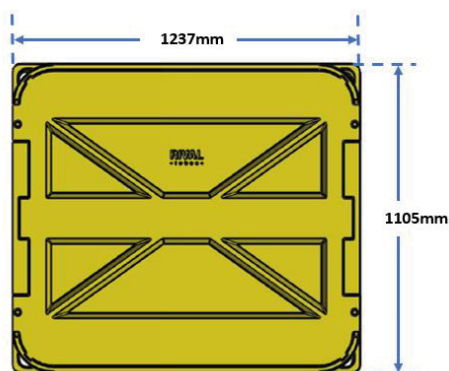
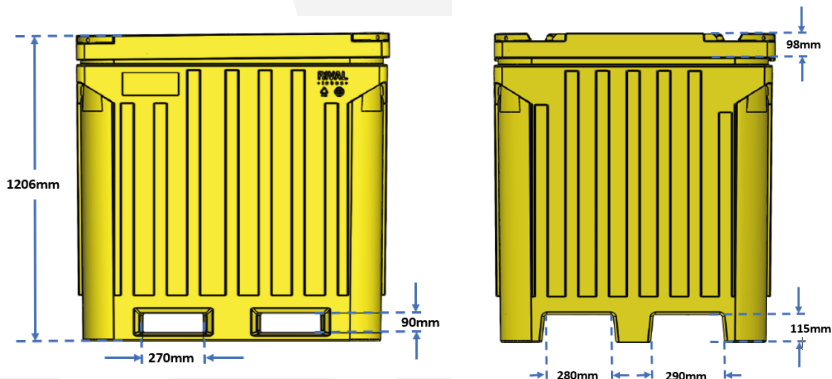


## DIMENSIONAL DETAILS





# DIMENSIONAL DETAILS



PRODUCT MANUFACTURES UNDER INTEGRAL MANAGEMENT SYSTEM



MADE IN ECUADOR BY

# RIVAL

## + t u b o s +

[www.plasticosrival.com](http://www.plasticosrival.com)

SALES:

[ecommerce@plasticosrival.com](mailto:ecommerce@plasticosrival.com) [ventas@plasticosrival.com](mailto:ventas@plasticosrival.com)

+593 99 861 6897



Plásticos Rival



rivalplasticos



rival.360

[www.tienda.plasticosrival.com](http://www.tienda.plasticosrival.com)

FIRST EDITION: January 2023